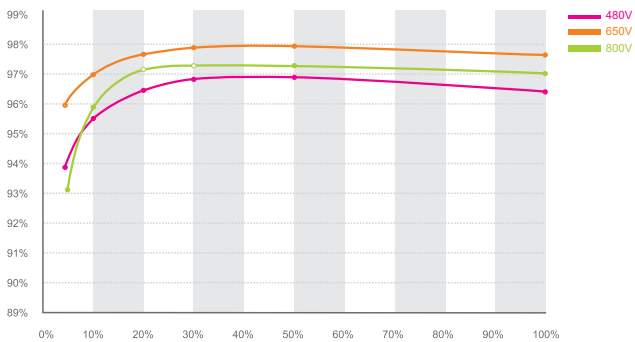


Leading - edge Technology

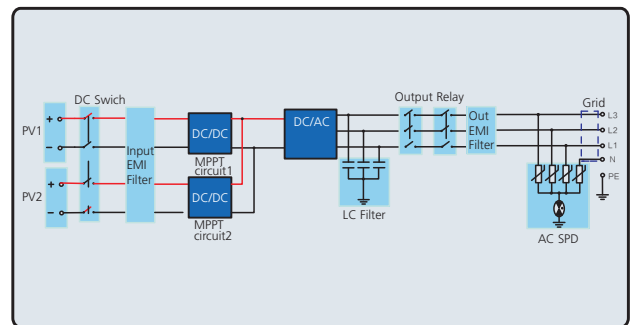
- ▶ Max. DC voltage up to 1000V
- ▶ Max. efficiency 98%
- ▶ Compact design
- ▶ Multi MPP controller
- ▶ Natural cooling
- ▶ High power density, offer lighter and easy installation
- ▶ Comprehensive Growatt warranty program



Growatt 6000TL3-S efficiency



Growatt 3-6kTL3-S topology



Datasheet	Growatt 3000TL3-S	Growatt 4000TL3-S	Growatt 5000TL3-S	Growatt 6000TL3-S
Input data				
Max. recommended PV power (for module STC)	3600W	4800W	6000W	7200W
Max. DC voltage	1000V	1000V	1000V	1000V
Start Voltage	140V	140V	140V	140V
PV voltage range	140V-1000V	140V-1000V	140V-1000V	140V-1000V
Nominal voltage	620V	620V	620V	620V
MPP voltage range at Full Power	160V-800V	200V-800V	250V-800V	290V-800V
Max. input current	11A/11A	11A/11A	11A/11A	11A/11A
Number of independent MPP trackers/ strings per MPP tracker	2/1	2/1	2/1	2/1
Output (AC)				
Rated AC output power	3000W	4000W	5000W	6000W
Max AC apparent power	3000VA	4000VA	5000VA	6000VA
Max. output current	5.1A	6.8A	8.5A	10.2A
AC nominal voltage;range	230V/400V ; 320-478V	230V/400V ; 320-478V	230V/400V ; 320-478V	230V/400V ; 320-478V
AC grid frequency	50Hz/60Hz ±5Hz	50Hz/60Hz ±5Hz	50Hz/60Hz ±5Hz	50Hz/60Hz ±5Hz
Power factor	0.8leading - 0.8laging	0.8leading - 0.8laging	0.8leading - 0.8laging	0.8leading - 0.8laging
THDi	<3%	<3%	<3%	<3%
AC grid connection type	3W+N+PE	3W+N+PE	3W+N+PE	3W+N+PE
Efficiency				
Max. efficiency	97.5%	97.8%	98.0%	98.0%
Euro - eta	96.5%	96.7%	96.9%	97.1%
MPPT efficiency	99.5%	99.5%	99.5%	99.5%
Protection Devices				
DC reverse polarity protection	yes	yes	yes	yes
DC switch	yes	yes	yes	yes
Output over current protection	yes	yes	yes	yes
Output AC overvoltage Protection - Varistor	yes	yes	yes	yes
Ground fault monitoring	yes	yes	yes	yes
Grid monitoring	yes	yes	yes	yes
Integrated all-pole sensitive leakage current monitoring unit	yes	yes	yes	yes
General Data				
Dimensions(W/H/D)	480/448/200 mm	480/448/200 mm	480/448/200 mm	480/448/200 mm
Weight	21.2kg	21.2kg	21.2kg	21.2kg
Operating temperature range	-25 °C ... +60 °C	-25 °C ... +60 °C	-25 °C ... +60 °C	-25 °C ... +60 °C
Noise emission (typical)	≤35 dB(A)	≤35 dB(A)	≤35 dB(A)	≤35 dB(A)
Altitude	3000m	3000m	3000m	3000m
Self-consumption night	< 0.5W	< 0.5W	< 0.5W	< 0.5W
Topology	Transformerless	Transformerless	Transformerless	Transformerless
Cooling concept	Natural	Natural	Natural	Natural
Environmental Protection Rating	IP65	IP65	IP65	IP65
Relative humidity	0~100%	0~100%	0~100%	0~100%
Features				
DC connection	H4/MC4(opt)	H4/MC4(opt)	H4/MC4(opt)	H4/MC4(opt)
AC connection	Screw terminal	Screw terminal	Screw terminal	Screw terminal
Display	LCD	LCD	LCD	LCD
Interfaces:RS232/RS485/RF/Ethernet/Wi-Fi	yes/yes/opt/opt/opt	yes/yes/opt/opt/opt	yes/yes/opt/opt/opt	yes/yes/opt/opt/opt
Warranty:5 years/10 years	yes/opt	yes/opt	yes/opt	yes/opt
Certificates and Approvals				